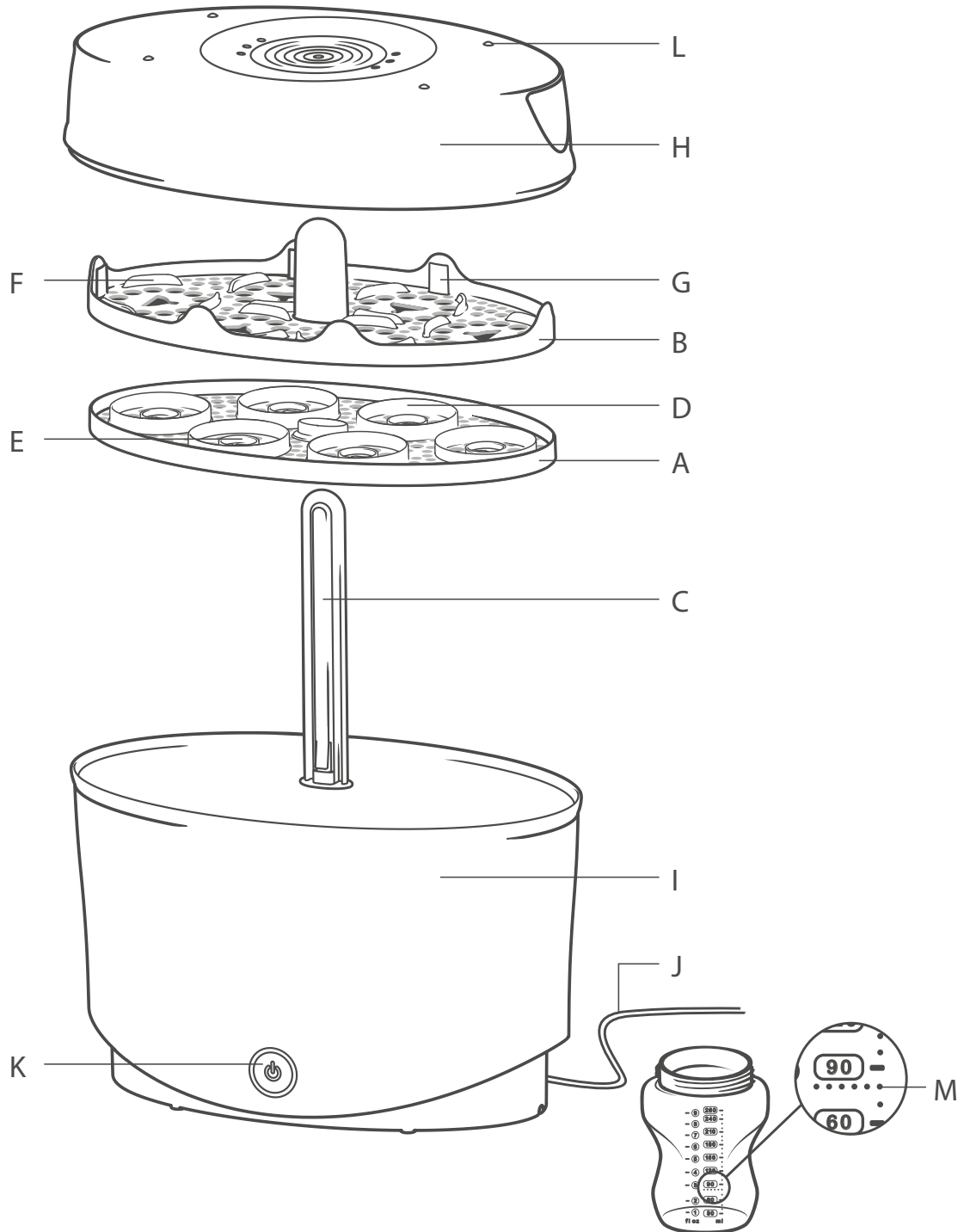




electric steam steriliser

INSTRUCTIONS FOR USE


UK



electric steam steriliser

Before using your steriliser, please ensure that you read these instructions thoroughly.
Please read and retain this important information for future reference.

IMPORTANT WARNINGS - Keep this instruction sheet for future reference as it includes important information.

- Do not immerse in water.
- This appliance can be used by children aged from 8 years and above and persons with reduced physical, sensory or mental capabilities or lack of experience and knowledge if they have been given supervision or instruction concerning use of the appliance in a safe way and understand the hazards involved. Children shall not play with this appliance. Cleaning and user maintenance shall not be made by children without supervision.
- Keep the appliance cord out of reach of children.
- The surfaces are liable to get hot during use. 

- Always add 80ml of water before use. If you put too little or too much water into the steriliser it will not operate correctly.
- Do not open whilst in use as this product contains boiling water. Beware of escaping steam from the vent holes in the lid.
- Always allow at least 3 minutes cooling time before opening.
- Take care when lifting the steriliser lid after use to avoid scalding.
- Keep all components out of reach of children.
- Never place items on top of the steriliser.
- Always unplug from the mains when not in use.
- Do not immerse the steriliser base in water.
- Children should be supervised to ensure that they do not play with this appliance.
- If the supply cord is damaged, it must be replaced by the manufacturer, its service agent or similarly qualified persons in order to avoid a hazard.
- This appliance is intended to be used in household and similar applications such as: staff kitchen areas in shops, offices and other working environments; farm houses; by clients in hotels, motels and other residential type environments; bed and breakfast type environments.
- This appliance is for household use only. Do not use outdoors.

Important Instructions for setting up your steriliser before use:

TO CLEAN YOUR STERILISER BEFORE FIRST USE REFER TO PARTS GUIDE AND DIAGRAM

- 1 Do not connect to power at this stage.
- 2 Remove all items from inside the steriliser base.
- 3 Pour exactly 80ml of water into the steriliser base.
- 4 Assemble the white lower tray (A), central stem (C) and upper tray (B) and place in the steriliser base.
- 5 Add the lid.
- 6 Connect the lead and plug into the mains supply. Press the switch button to cut off the power supply.
- 5 Press the switch and it will light up amber to show that sterilising has begun.
- 6 The light will switch off when sterilising has finished.
- 8 Allow to cool for 3 minutes before turning off at the mains, removing the plug and disconnecting the lead from the steriliser.
- 9 Remove lower tray, central stem and upper tray, pour away any remaining water and wipe dry – Your steriliser is now ready for use.

This steriliser is designed for use with tommee tippee® closer to nature® bottles and feeding accessories (except bottle brush).

The steriliser will hold up to 6 closer to nature® bottles, plus accessories.

PARTS GUIDE (see diagram)

- | | |
|---|---|
| A Removable lower tray | B Removable upper tray |
| C Central Stem | D Locator for closer to nature® bottle neck |
| E Locator for Closer to Nature® Anti-Colic plus valve (if sterilising closer to nature® Anti-Colic plus bottles) | G Locator for bottle hood |
| F Locator for Closer to Nature® screw ring and teat | I Steriliser base |
| H Lid | K Start switch and sterilising light. |
| J Lead with plug | M 80ml measurement on Closer to Nature® bottle |
| L Steam vents | |

FOR INSTRUCTIONS ON HOW TO CLEAN AND STERILISE THE TOMMEE TIPPEE® CLOSER TO NATURE® BOTTLES, PLEASE SEE SEPARATE LEAFLET.

USING THE ELECTRIC STEAM STERILISER

- 1 Before sterilisation, wash all bottles and feeding accessories in warm soapy water or in a dishwasher (top rack only) to remove any milk residues. Separate all components for washing and reassemble teat and screw ring for sterilising.

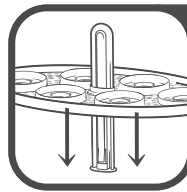
WARNING: DO NOT ALLOW PRODUCT TO COME INTO CONTACT WITH OIL BASED FOODS (e.g. OIL/TOMATO BASED SAUCES) AS STAINING WILL OCCUR.



2

Pour exactly 80ml of water into the steriliser base. Your closer to nature® bottles have a handy 80ml measure.

WARNING: MORE THAN 80ML OF WATER IN THE STERILISER BASE WILL PROLONG THE CYCLE TIME. LESS THAN 80ML MAY NOT STERILISE ITEMS PROPERLY.



3

Assemble central stem and lower tray into the steriliser base.



4

Place the bottles neck downwards into the locators of the removable lower tray.

If using closer to nature® anti-colic plus bottles, place bottle parts in the locators as shown in diagram 4 and 6.



5

Fit the removable upper tray into place.



6

Place the assembled teat and screw ring in the locators of the removable upper tray. It is important not to have the hoods fitted onto the teat and screw ring.



7

Slot the hoods into the hood locators of the removable upper tray so that they hang over the teat and screw ring but are not fully assembled.

8 Place the lid onto the steriliser base.

9 Plug the lead into the mains power and switch on.

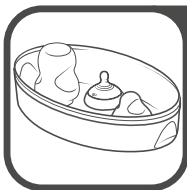
10 Press the start switch and it will light up amber. This shows that the steriliser is in its warm up phase and will automatically begin the sterilising phase when the appropriate temperature is reached.

11 The light will switch off when the sterilising phase has finished.

12 Allow to cool for 3 minutes before opening the steriliser.

13 The contents will remain sterile for 24 hours if the steriliser is unopened.

14 Wash your hands thoroughly before handling sterilised items. Take care as the items will be hot.



15

Remove the sterilised items. The teat tongs can be used to remove the small items. The lid when removed and placed flat becomes another hygienic work surface for making up feeds.

16 Drain and rinse unit to prevent a build up of limescale.

CLEANING INSTRUCTIONS

- After each use, pour away any remaining water from the Steriliser base.
- You should descale your steriliser every 4 weeks to ensure it continues to work efficiently. Electric steam steriliser descaling products are widely available. Use according to the manufacturer's instructions.
- Do not use metal objects or scourers.
- Do not use bleach or chemical sterilising solutions/tablets in your steriliser or on products to be sterilised.
- Do not use abrasive or anti-bacterial materials to clean the steriliser.

PROBLEM SOLVING

PROBLEM	CHECK
Steriliser will not work	Check the mains lead is plugged into the unit and the mains socket is switched on. Check the fuse is in the plug (in a UK plug only). Check the socket by plugging in another appliance.
Excessive steam	Items incorrectly loaded in steriliser. Refer to Instructions for Use.
Bottles come out with mark	Steriliser needs descaling. Refer to Cleaning Instructions.
Cycle takes too long to complete	Too much water in steriliser. Use exactly 80ml

CORRECT DISPOSAL OF THIS PRODUCT

This marking indicates that this product should not be disposed with other household wastes throughout the EU. To prevent possible harm to the environment or human health from uncontrolled waste disposal, recycle it responsibly to promote the sustainable reuse of material resources. To return your used device, please use the return and collection systems or contact the retailer where the product was purchased. They can take this product for environmental safe recycling.

WARRANTY: This product has 12 months warranty period after the date of purchase. If you have any questions please call 0500 97 98 99 or website www.tommeetippee.com

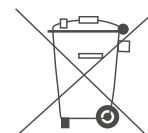
Model	1069
Voltage (V)	230
Frequency (Hz)	50
Watt (W)	650

TÜV SÜD Hong Kong Ltd.

FOR UK ONLY

The product is fitted with a BS 1363 mains plug containing a 13A fuse. If it ever becomes necessary to replace the fuse, only use fuses that are marked BS 1362, and rated at 13A.

If you are in any doubt about how to replace a fuse safely, consult a qualified electrician.



Model: 1069
Steriliser UK version

Jackel International Limited trading as Mayborn Group
Northumberland Business Park West
Cramlington
Northumberland
NE23 7RH, UK

Copyright © Jackel International Limited 2015.

TOMMEE TIPPEE is a registered trademark of Jackel International Limited.